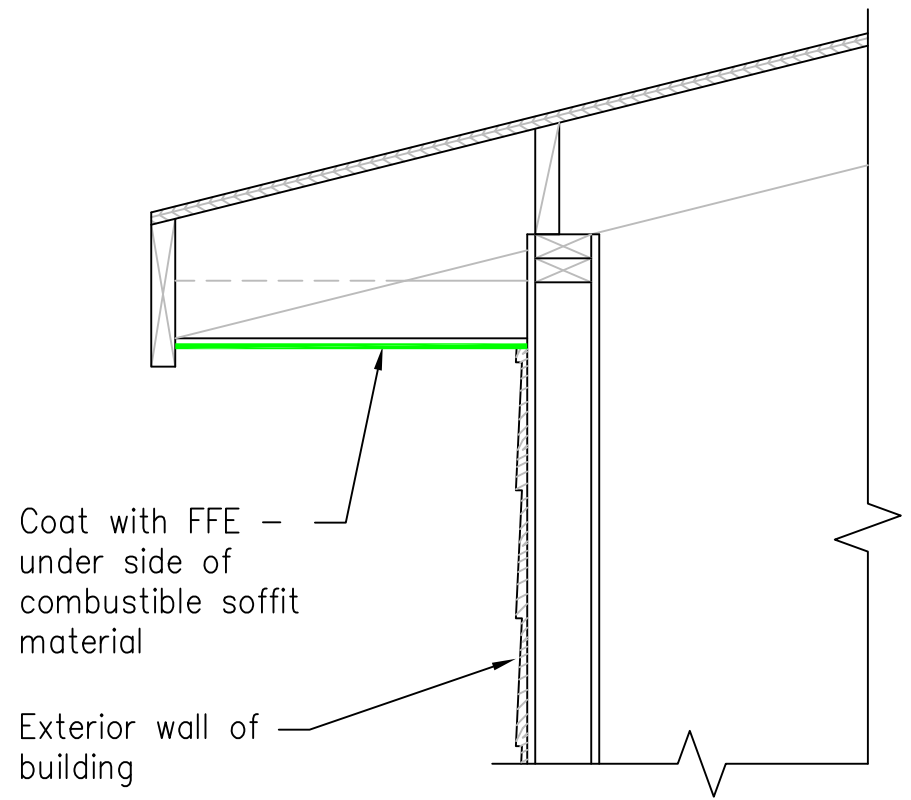


CONDITION 1 – EXPOSED RAFTER



CONDITION 2 – SOFFIT/EAVE